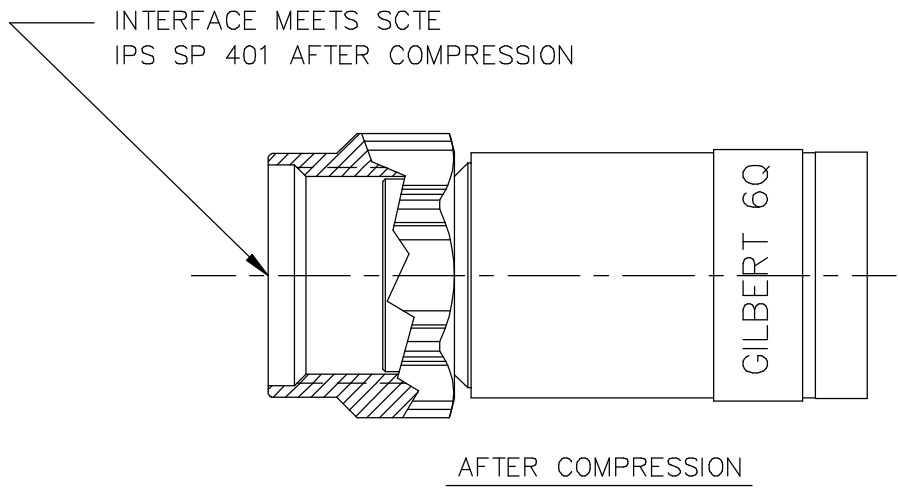
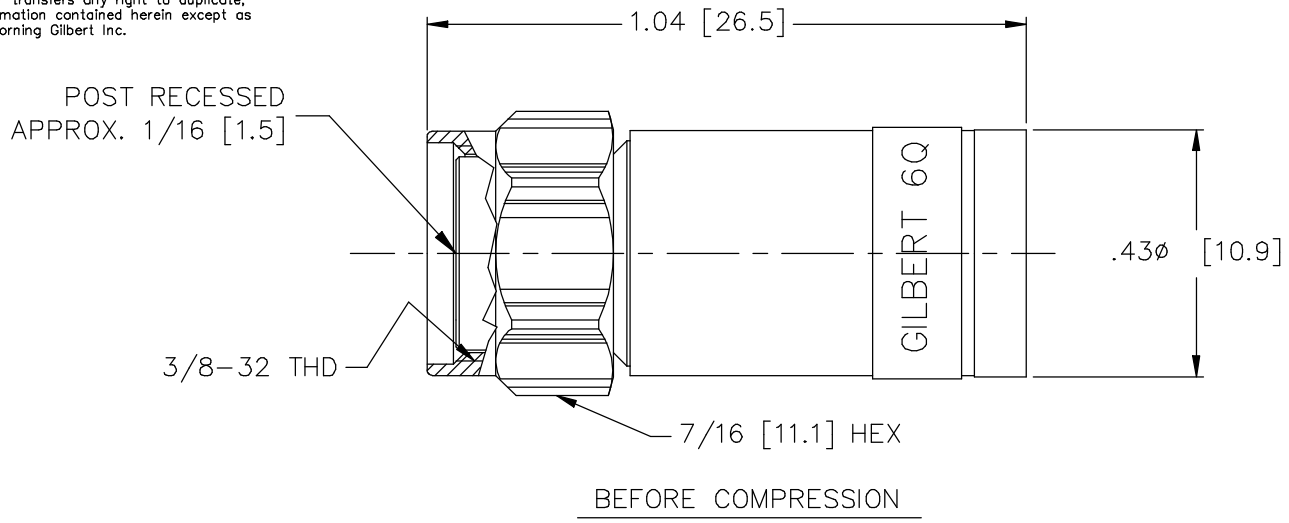


This drawing and any data contained therein is the property of Corning Gilbert Inc., and constitutes and contains proprietary and confidential information. Neither receipt nor possession of this drawing confers or transfers any right to duplicate, use, or disclose any information contained herein except as expressly authorized by Corning Gilbert Inc.

|      |             |      |        |
|------|-------------|------|--------|
| REV. | DESCRIPTION | DATE | APP'D. |
|------|-------------|------|--------|



MATERIAL AND FINISH

COUPLING NUT: BRASS, NICKEL  
 BODY: UV RESISTANT POLYMER  
 SHELL: BRASS, NICKEL  
 POST: BRASS, BRIGHT ACID TIN

# Corning Gilbert Inc.

BY: DB      DATE: 8.4.04

TITLE: STANDARD DRAWING FOR GF-UE-6Q CONNECTOR ASSEMBLY

ALL DIMENSIONS ARE IN INCHES AND [MILLIMETERS].

SS DWG. REV. B

A SIZE

DWG. NO. SS-10844-3

DWG. REV.

DO NOT SCALE      SHT. 1 OF 1